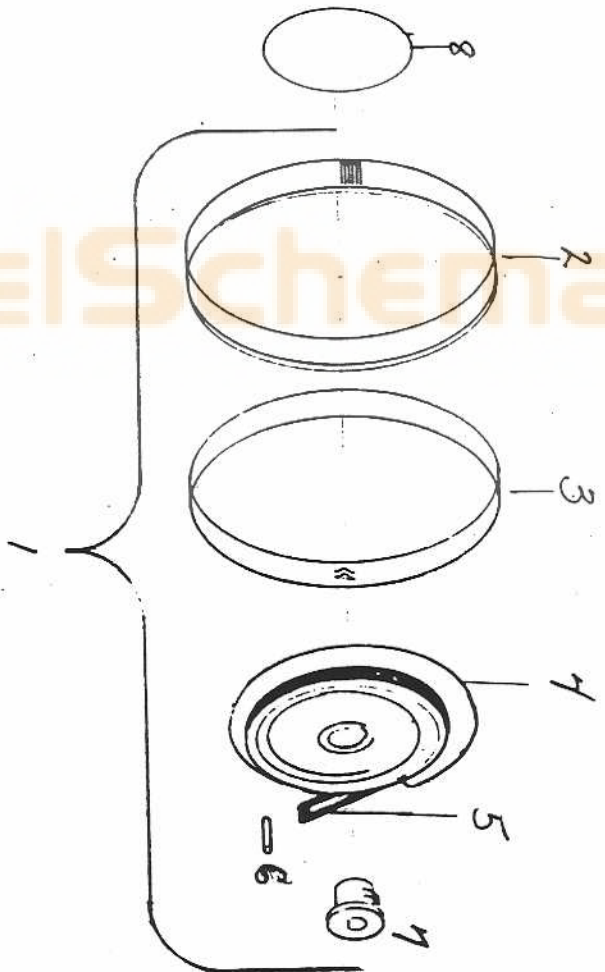


CRAPPIE



NUMBER OF PART	QUANTITY
1 SA-128 DRUM ASSM.	1
2 74 DRUM (GROSSBACK)	1
3 S-38 DRUM REINFORCEMENT	1
4 SPRING RETAINER	1
5 CA-35 XINH TOQUE SPRING	1
6 S-36 MIN SPRING PIN	1
7 S-37 MIN SPRING HUB	1
8 C42 NIBBALLON	1
9	
10	
11	
12	
13	
14	



ReelSchematic